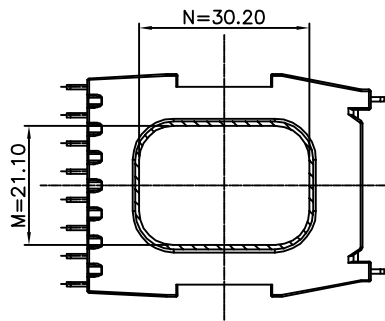
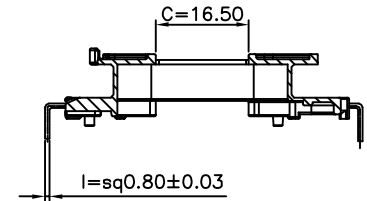
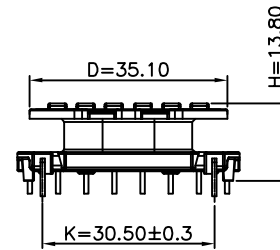
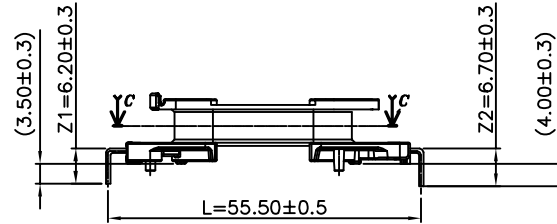
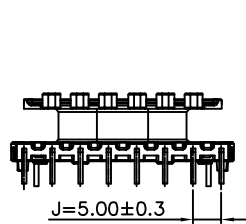
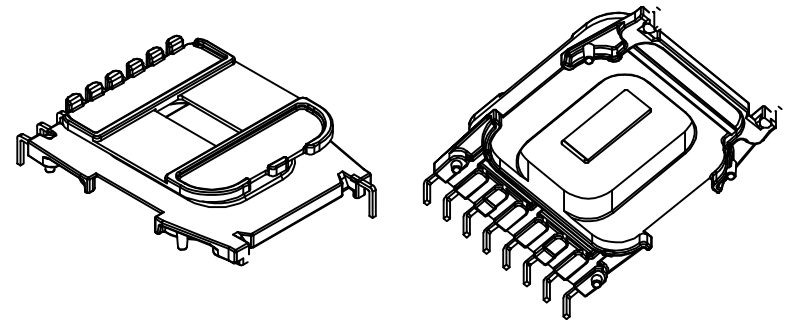
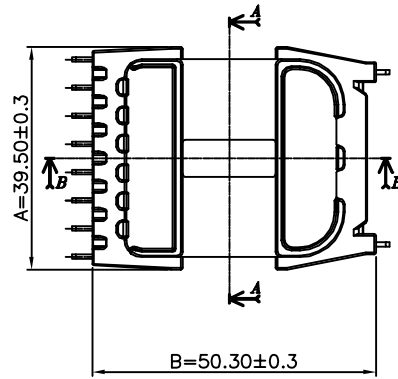
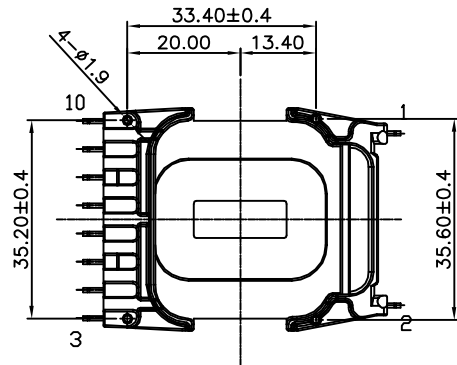


SECTION A-A



SECTION C-C



MARK	REVISION NOTE	DATE	DRAWN	CHECKED	APPROVED
△					
△					
△					
△					
DRAWN	CHECKED	APPROVED	MATERIAL : PET(BK)	UL REC. : UL94V-0	THIRD ANGLE PROJ.
HK, Yang	SH, Kim	C, Park	Z : PIN LENGTH (according to customer's request)	DATE : 13.04.09	SCALE : 1/3
			TITLE		TOLERANCE : ±0.2 (Unless otherwise specified)
주식회사 대흥보빈 DAE HEUNG BOBBIN CO., LTD			EE 42*14 "V" (10P) (A)		DWG NO DH-130423-3077-09